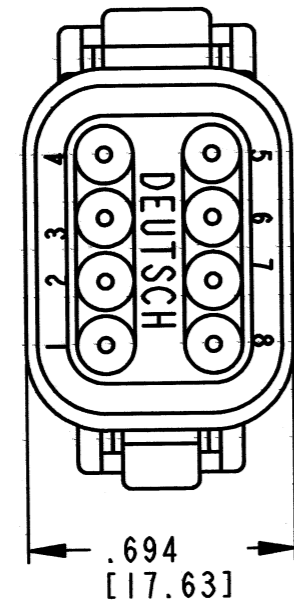
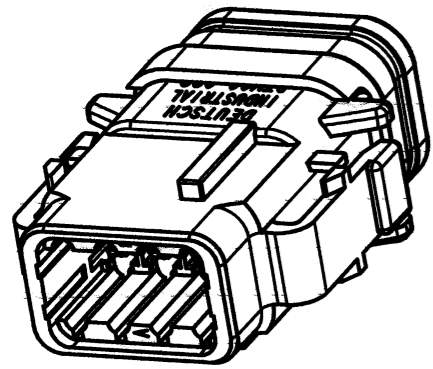
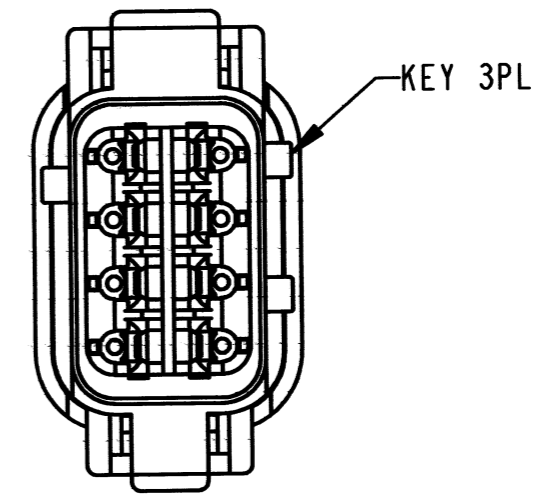
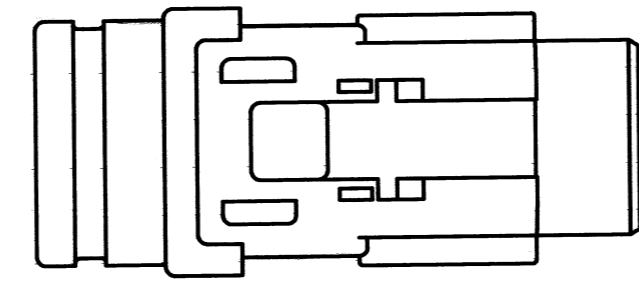
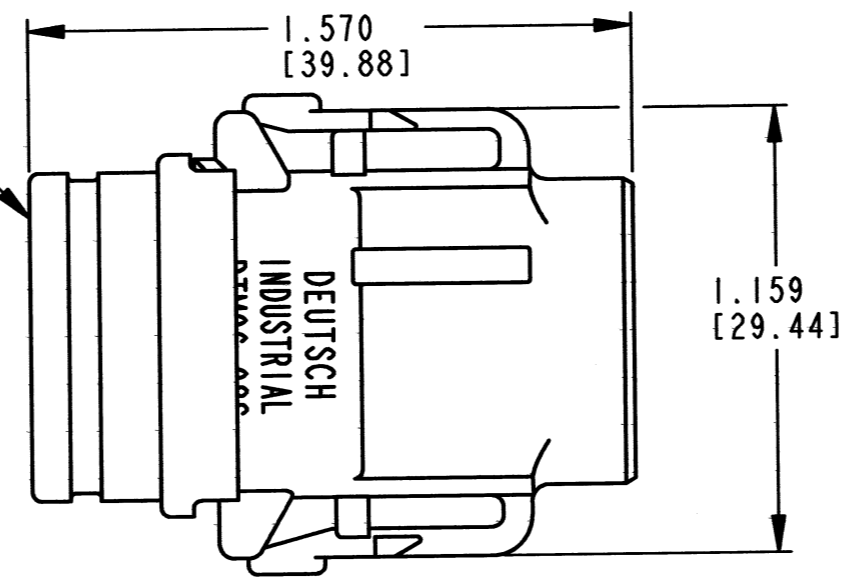
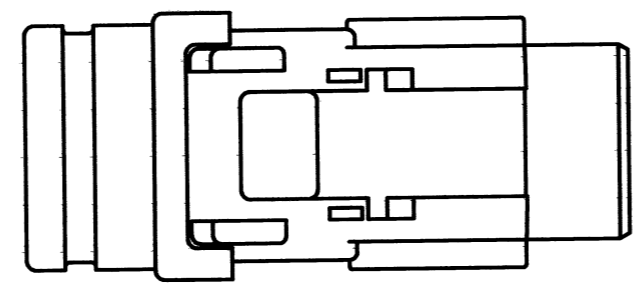


REV
A DTM06-08S*-E007

| REVISIONS | | | |
|-----------|-----------------------------|---------|----------|
| SYM | DESCRIPTION | DATE | APPROVED |
| NC | NEW RELEASE PER E.O. P17176 | 3/16/01 | R.D.R. |
| A | REVISED PER E.O. P20732 | 3-25-11 | RDR |
| | | | |
| | | | |



8
EXTENDED
CAP



8. PART MODIFICATION.

- 7. SEE SHEET 2 FOR OTHER KEY ARRANGEMENT.
- 6. MATERIAL - HOUSING/EXTENDED CAP: PLASTIC; GROMMET: RUBBER.
- 5. THIS PLUG MATES WITH DTM04-08P*-**** RECEPTACLE.
(* = A,B,C,D KEYS; **** = ALL MODIFICATIONS)

4. FOR CONTACT AND WIRE PERFORMANCE AND APPLICATION CHARACTERISTICS SEE ENVELOPE DRAWING 0425-015-0000.

- 3. SECONDARY WEDGE LOCK SOLD SEPARATELY: WM-8S.
 - 2. DIMENSION TOLERANCE: ±.025 [.64].
 - 1. DIMENSIONS ARE IN INCHES [mm].
- NOTES: UNLESS OTHERWISE SPECIFIED

| CONTACT SIZE | MIN. INSUL. O.D. | MAX. INSUL. O.D. | WIRE RANGE [mm ²] REF ONLY |
|--------------|------------------|------------------|--|
| 20 | .053 [1.35] | .120 [3.05] | 16-20 AWG [1.0-0.5] |

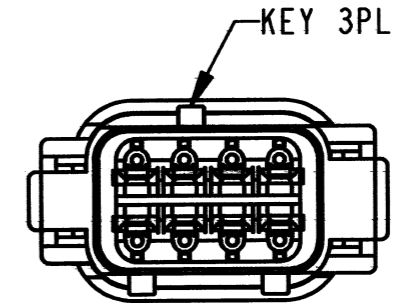
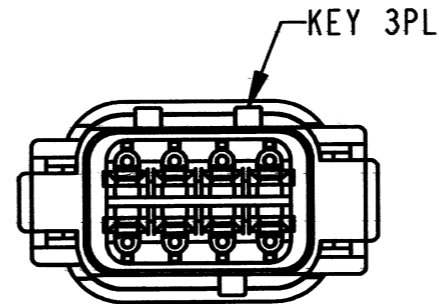
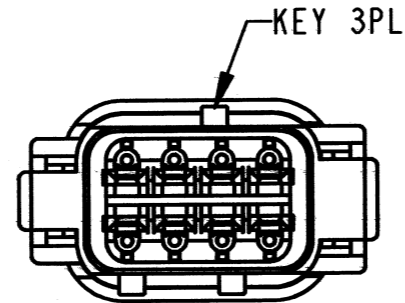
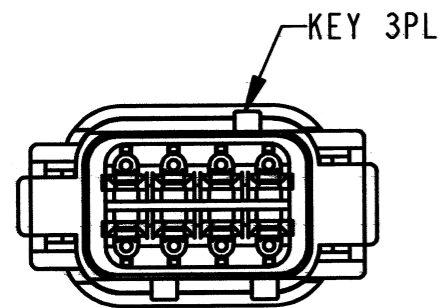
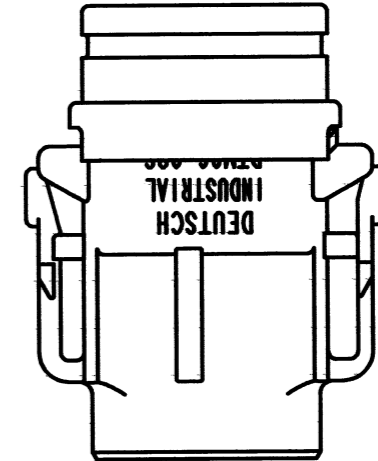
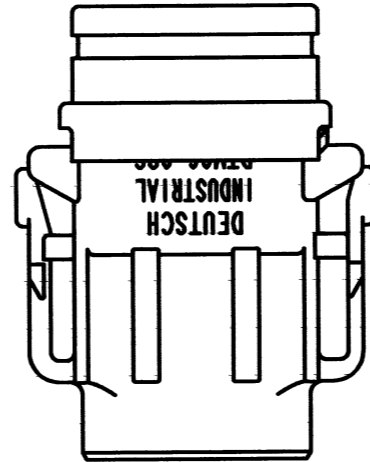
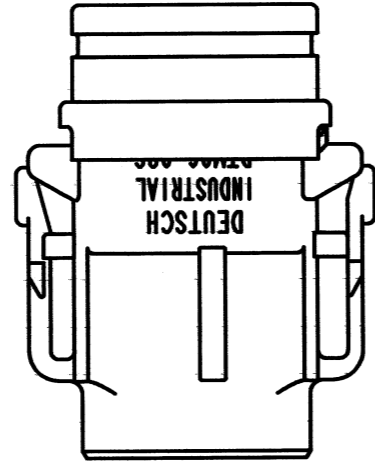
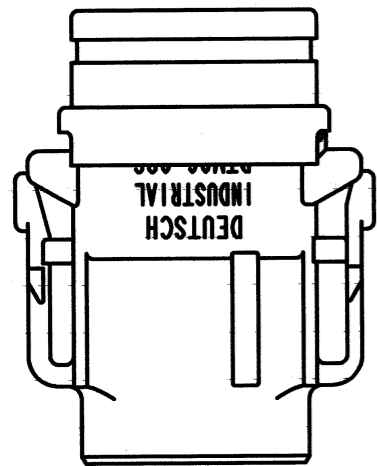
| SIGNATURE & DATE | |
|------------------|------------------------------|
| DR | D. MEYER 03/09/01 |
| CHK | <i>[Signature]</i> 3/23/2011 |
| PE | <i>[Signature]</i> 3/16/11 |
| APPD | <i>[Signature]</i> 3/18/11 |
| SCALE | NONE WT _____ |

PLUG W/EXTENDED CAP
8 CONTACTS, SIZE 20
A,B,C,D KEYS
-E007 MOD
DTM SERIES

ENVELOPE

| | |
|---|-------------------------|
| EP | MATL. CODE |
| 3850 INDUSTRIAL AVE. HEMET, CA 92545 | |
| B DTM06-08S*-E007 | |
| DWG SIZE | CODE 11139 SHEET 1 OF 2 |

| REV A | DTM06-08S*-E007 | REVISIONS | | | |
|----------|-----------------|-----------|-------------|---------|----------|
| | | SYM | DESCRIPTION | DATE | APPROVED |
| | | A | SEE SHEET 1 | 3-25-11 | RDR |
| | | | | | |
| | | | | | |



DTM06-08SA-E007
KEY -A-
COLOR: GREY

DTM06-08SB-E007
KEY -B-
COLOR: BLACK

DTM06-08SC-E007
KEY -C-
COLOR: GREEN

DTM06-08SD-E007
KEY -D-
COLOR: BROWN

NOTES:

| | | | | |
|------------------|---------------------|--|---|------------|
| SIGNATURE & DATE | | PLUG W/EXTENDED CAP 8 CONTACTS, SIZE 20 A, B, C, D KEYS -E007 MOD DTM SERIES | EP | MATL. CODE |
| DR | D. MEYER 03/09/01 | | 3850 INDUSTRIAL AVE. HEMET, CA 92545 | |
| CHK | B. Boyd 3/23/2011 | | DEUTSCH INDUSTRIAL | |
| PE | R. Milligan 3/16/11 | | B DTM06-08S*-E007 | |
| APPD | S. Beard 3/18/11 | | DWG SIZE | CODE 11139 |
| SCALE | NONE | WT | ENVELOPE | |